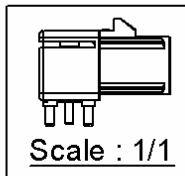
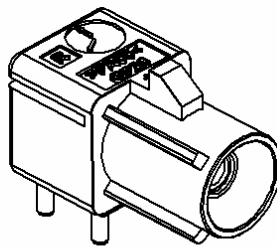
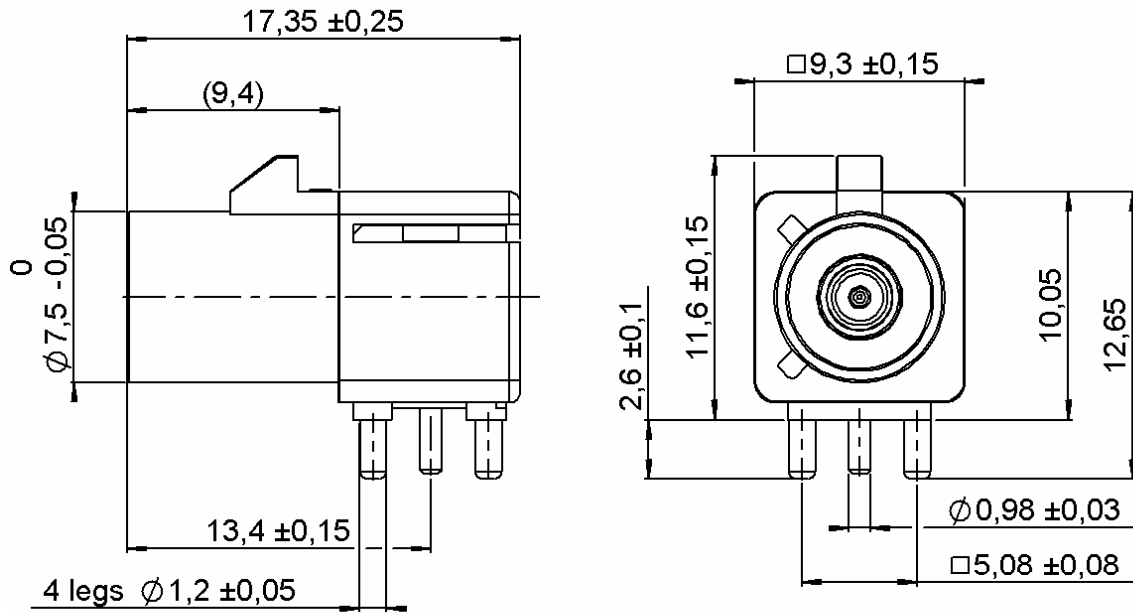


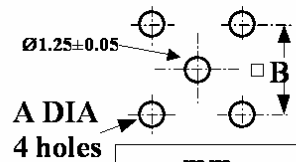
R/A RECEPTACLE MALE
PRINTED CIRCUIT

R197.160.D10

Series : **SMB**
CARLOCK

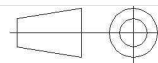


PANEL CUT OUT



	mm	
	Maxi	mini
A	1.4	1.3
B	5.16	5

All dimensions are in mm.



COMPONENTS	MATERIALS	PLATING (µm)
BODY	ZINC ALLOY	TIN 3 OVER NICKEL 2 OVER COPPER 8
CENTER CONTACT	BRASS	GOLD 0.5 OVER NICKEL 2
OUTER CONTACT	-	-
INSULATOR	POLYPROPYLENE	
GASKET	-	
OTHERS PARTS	BRASS	NICKEL 2
HOUSING	PA6.6 GF-30	UL CLASSIFICATION : UL 94 V - 2
		COLOR : BORDEAUX RAL 4004

Issue : 0730 A

In the effort to improve our products, we reserve the right to make changes judged to be necessary.



R/A RECEPTACLE MALE

PRINTED CIRCUIT

R197.160.D10

Series : **SMB**
CARLOCK

PACKAGING

SPECIFICATION

Standard	Unit	Other
100	'W' option	Contact us

QS9000

ELECTRICAL CHARACTERISTICS

ENVIRONMENTAL

Impedance	50	Ω
Frequency	0-4	GHz
VSWR	1.30* + 0,0000	x F(GHz) Maxi
Insertion loss	0.25	$\sqrt{F(GHz)}$ dB Maxi
RF leakage	- (- F(GHz)) dB Maxi
Voltage rating	335	Veff Maxi
Dielectric withstanding voltage	1000	Veff mini
Insulation resistance	1000	M Ω mini

Operating temperature	-40/+110	$^{\circ}$ C
Hermetic seal	NA	Atm.cm3/s
Panel leakage	NA	

OTHER CHARACTERISTICS

Assembly instruction

Others :

* Coaxial Transmission Line Only

MECHANICAL CHARACTERISTICS

Center contact retention		
Axial force – Mating end	10	N mini
Axial force – Opposite end	10	N mini
Torque	NA	N.cm mini
Recommended torque		
Mating	NA	N.cm
Panel nut	NA	N.cm
Mating life	50	Cycles mini
Weight	2,4000	g

Issue : 0730 A

In the effort to improve our products, we reserve the right to make changes judged to be necessary.



R/A RECEPTACLE MALE**PRINTED CIRCUIT****R197.160.D10**Series : **SMB**
CARLOCK

PACKAGING

⇒ TRAY:

Hot formed tray

External dimensions : **350 x 250 x 20 mm**Material : **Antistatic black Polyester (PS)**

Number of connector by tray: 260



⇒ CARDBOARD BOX:

Inside dimensions : **365 x 265 x 90 mm**Number of tray by cardboard box : **5**Number of connector by cardboard box : **1300****Issue : 0730 A**

In the effort to improve our products, we reserve the right to make changes judged to be necessary.

